

Compact in Size & Simple in Operation!!

AC DIGITAL CLAMP METER

KEWTECH® KT200

NEW

CE $\phi 30$

AC0.01A~399.9A

- Small and handy clamp meter
- Designed to meet IEC61010-1 CAT. III 300V
- 40A/400A AC
- 400V/600V AC, 400V/600V DC
- Ω /Continuity Beeper
- Sleep function to save battery
- Data hold function
- Digital display with maximum 4000 counts

KEWTECH®
MODEL
KT 200

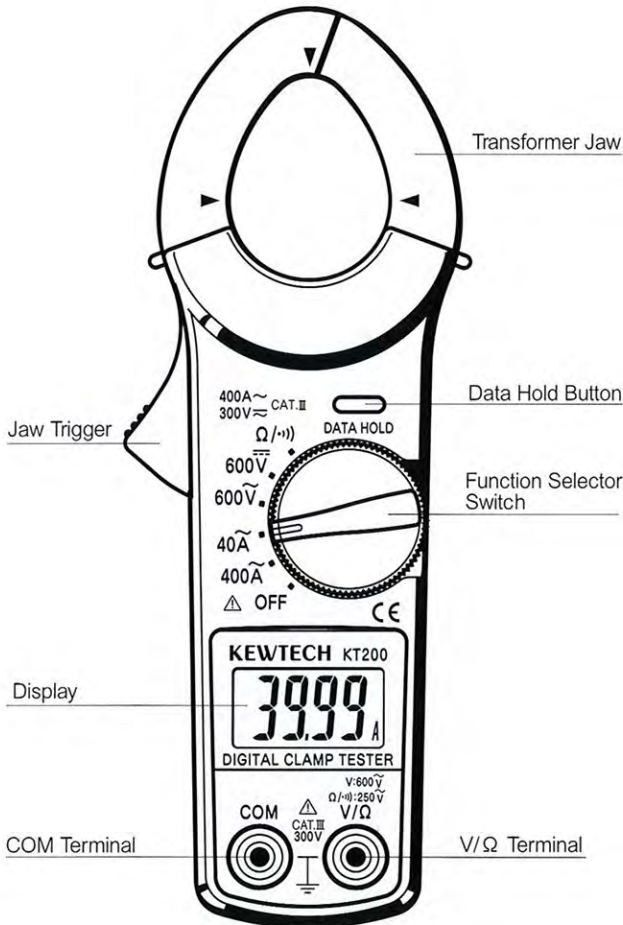


(Actual Size)

KEWTECH Corporation

Compact in Size & Simple in Operation!!

Instrument Layout



Specifications

AC A	40A/400A	± 2.0%rdg ± 6dgt (50/60Hz)
AC V (autoranging)	400V/600V	± 2.0%rdg ± 5dgt (50/60Hz)
DC V (autoranging)	400V/600V	± 1.5%rdg ± 5dgt
Ω (autoranging)	400Ω/4kΩ	± 2.0%rdg ± 5dgt
Continuity	Buzzer sounds at 50 Ω ± 35 Ω	
Conductor Size	Approx. φ 30 mm	
Withstand Voltage	3700V AC for 1 minute	
Safety Standard	IEC61010-1CAT. III 300V Pollution Degree 2 CAT. II 600V IEC61010-2-031 IEC61010-2-032 IEC61326-1	
Dimensions	184(L) × 44(W) × 27(D)mm	
Weight	Approx. 250g (including batteries)	
Power Source	Two R03 (DC1.5V) batteries	
Accessories	Test Leads Instruction Manual 1.5V R03 × 2	

- Operating System Dual Integration
- Display Liquid crystal display (maximum count : 3999)
- Low Battery Warning BATT is shown on the display
- Overrange Indication OL is shown on the display
- Response Time Approx. 2 seconds
- Sample Rate About 2.5 times per second
- Operating Temperature 0~+40°C, 85%RH or less
- Storage Temperature -20~+60°C, 85%RH or less
- Current Consumption Approx. 2.5mA
- Sleep function
Automatically powered down in about 10 minutes after the last switch operation (power consumption in the sleep mode is about 20 μA)
- Overload Protection
AC current ranges : 480A AC for 10 seconds
AC voltage ranges : 720V AC for 10 seconds
Resistance ranges : 300V AC for 10 seconds



Safety Warnings

Please read the "Safety Warnings" in the instruction manual supplied with the instrument thoroughly and completely for correct use. Failure to follow the safety rules can cause fire, trouble, electrical shock, etc. Therefore, make sure to operate the instrument on a correct power supply and voltage rating marked on each instrument.

※The contents of this catalogue may be subject to change without notice.

DISTRIBUTOR

KEWTECH Corporation

No. 5-20 Nakane 2-chome, Meguro-ku,
Tokyo, 152-0031 Japan

Phone: 81-3-5731-2520 Fax: 81-3-5731-2530